

YINGLI SOLAR PV MODULES

Module Supplement



Revision Date September 1st, 2014 | Applicable for IEC certified products.

The information in this supplement is believed to be reliable, but does not constitute an expressed or implied warranty. Yingli Solar reserves the right to make changes to its PV modules and other products, their specifications, or this supplement without prior notice.

This supplement to the installation manual does not contain information about some older module series no longer being manufactured by Yingli Solar. If you require information about such modules, please contact Yingli Solar.

This supplement refers to modules of the following types:

Table 1: Module types

FAMILY	YGE 48 Cell 40mm Series	YGE 60 Cell 40mm Series YGE 60 Cell Series 2	YGE 72 Cell NH Series YGE 72 Cell Series 2	PANDA 48 Cell 40mm Series	PANDA 60 Cell 40mm Series PANDA 60 Cell Series 2	PANDA 72 Cell NH Series
TYPE	YL150P-23b	YL200P-29b	YL235P-35b	YL180C-24b	YL225C-30b	YL270C-36b
	YL155P-23b	YL205P-29b	YL240P-35b	YL185C-24b	YL230C-30b	YL275C-36b
	YL160P-23b	YL210P-29b	YL245P-35b	YL190C-24b	YL235C-30b	YL280C-36b
	YL165P-23b	YL215P-29b	YL250P-35b	YL195C-24b	YL240C-30b	YL285C-36b
	YL170P-23b	YL220P-29b	YL255P-35b	YL200C-24b	YL245C-30b	YL290C-36b
	YL175P-23b	YL225P-29b	YL260P-35b	YL205C-24b	YL250C-30b	YL295C-36b
	YL180P-23b	YL230P-29b	YL265P-35b	YL210C-24b	YL255C-30b	YL300C-36b
	YL185P-23b	YL235P-29b	YL270P-35b	YL215C-24b	YL260C-30b	YL305C-36b
	YL190P-23b	YL240P-29b	YL275P-35b	YL220C-24b	YL265C-30b	YL310C-36b
	YL195P-23b	YL245P-29b	YL280P-35b	YL225C-24b	YL270C-30b	YL315C-36b
	YL200P-23b	YL250P-29b	YL285P-35b		YL275C-30b	YL320C-36b
	YL205P-23b	YL255P-29b	YL290P-35b		YL280C-30b	YL325C-36b
	YL210P-23b	YL260P-29b	YL295P-35b			YL330C-36b
		YL265P-29b	YL300P-35b			YL335C-36b
			YL305P-35b			YL340C-36b
			YL310P-35b			
		YL315P-35b				
		YL320P-35b				

MOUNTING REQUIREMENTS

Mounting Method: Bolts and Clamps

Table 2: Mounting requirements

Modules that Require Four (4) Connection Points	Modules that Require Six (6) Connection Points
YGE 48 Cell 40mm Series	YGE 72 Cell Series 2
YGE 60 Cell 40mm Series	YGE 72 Cell NH Series
PANDA 48 Cell 40mm Series	PANDA 72 Cell NH Series
PANDA 60 Cell 40mm Series	
YGE 60 Cell Series 2	
PANDA 60 Cell Series 2	

ELECTRICAL CHARACTERISTICS

Nameplate ratings are average values. The electrical characteristics are within +/- 10 percent of the indicated values of I_{sc} , V_{oc} , and P_{max} under Standard Test Conditions (irradiance of 1000 W/m², AM 1.5 spectrum, and a cell temperature of 25°C). Refer to module datasheets for specific power output tolerances. Note that not necessarily all power classes are available for all module series given in the first column of Table 3. Please refer to Table 1 to see which power classes actually exist for which module series.

Table 3: Electrical characteristics

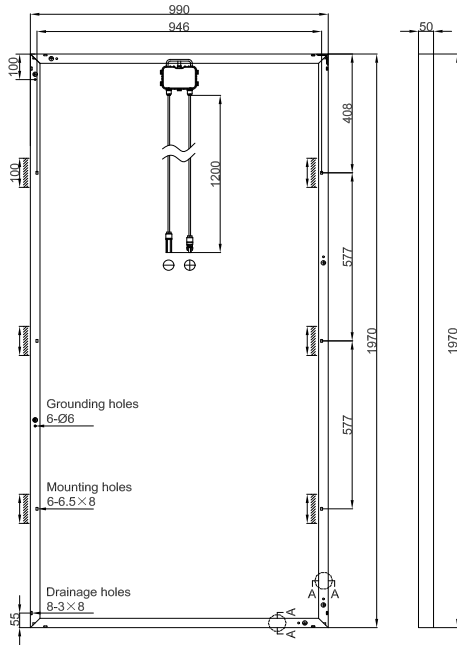
Series	Module	P_{max}	V_{mpp}	I_{mpp}	V_{oc}	I_{sc}	Max. system voltage	Max. series fuse rating
		[W]	[V]	[A]	[V]	[A]	[V]	[A]
YGE 72 Cell NH Series YGE 72 Cell Series 2	YL320P-35b	320	36.9	8.68	46.0	9.12	1000	15
	YL315P-35b	315	36.6	8.60	45.8	9.06	1000	15
	YL310P-35b	310	36.3	8.53	45.6	8.99	1000	15
	YL305P-35b	305	36.1	8.45	45.4	8.93	1000	15
	YL300P-35b	300	35.8	8.37	45.2	8.86	1000	15
	YL295P-35b	295	35.6	8.29	45.0	8.79	1000	15
	YL290P-35b	290	35.3	8.22	44.8	8.73	1000	15
	YL285P-35b	285	35.0	8.14	44.6	8.66	1000	15
	YL280P-35b	280	34.7	8.06	44.4	8.59	1000	15
	YL275P-35b	275	35.5	7.75	45.0	8.30	1000	15
	YL270P-35b	270	35.3	7.65	44.8	8.20	1000	15
	YL265P-35b	265	35.3	7.50	44.6	8.15	1000	15
	YL260P-35b	260	35.0	7.43	44.6	8.04	1000	15
	YL255P-35b	255	35.0	7.28	44.5	7.90	1000	15
	YL250P-35b	250	35.0	7.15	44.3	7.80	1000	15
	YL245P-35b	245	34.8	7.05	44.2	7.70	1000	15
	YL240P-35b	240	34.8	6.90	44.0	7.60	1000	15
YL235P-35b	235	34.8	6.75	44.0	7.50	1000	15	
YGE 60 Cell 40mm Series YGE 60 Cell Series 2	YL265P-29b	265	30.5	8.70	37.8	9.18	1000	15
	YL260P-29b	260	30.3	8.59	37.7	9.09	1000	15
	YL255P-29b	255	30.0	8.49	37.7	9.01	1000	15
	YL250P-29b	250	29.8	8.39	37.6	8.92	1000	15
	YL245P-29b	245	29.6	8.28	37.5	8.83	1000	15
	YL240P-29b	240	29.3	8.18	37.5	8.75	1000	15
	YL235P-29b	235	29.3	8.18	37.5	8.75	1000	15
	YL230P-29b	230	29.1	8.08	37.4	8.66	1000	15
	YL225P-29b	225	29.5	7.63	36.5	8.28	1000	15
	YL220P-29b	220	29.0	7.59	36.5	8.15	1000	15
	YL215P-29b	215	29.0	7.41	36.0	8.10	1000	15
	YL210P-29b	210	28.5	7.37	36.0	7.95	1000	15
	YL205P-29b	205	28.5	7.19	36.0	7.86	1000	15
YL200P-29b	200	28.5	7.02	36.0	7.68	1000	15	

YGE 48 Cell 40mm Series	YL210P-23b	210	24.8	8.47	31.2	9.04	1000	15
	YL205P-23b	205	24.5	8.36	30.9	8.94	1000	15
	YL200P-23b	200	24.2	8.25	30.7	8.85	1000	15
	YL195P-23b	195	24.0	8.14	30.4	8.75	1000	15
	YL190P-23b	190	23.7	8.03	30.1	8.65	1000	15
	YL185P-23b	185	23.4	7.91	29.9	8.56	1000	15
	YL180P-23b	180	23.1	7.80	29.6	8.46	1000	15
	YL175P-23b	175	23.0	7.61	29.0	8.20	1000	15
	YL170P-23b	170	23.0	7.39	29.0	8.10	1000	15
	YL165P-23b	165	23.0	7.17	29.0	7.90	1000	15
	YL160P-23b	160	23.0	6.96	29.0	7.70	1000	15
	YL155P-23b	155	22.5	6.89	29.0	7.40	1000	15
YL150P-23b	150	22.5	6.67	29.0	7.20	1000	15	
PANDA 72 Cell NH Series	YL340C-36b	340	38.5	8.82	47.0	9.25	1000	15
	YL335C-36b	335	38.1	8.79	46.8	9.25	1000	15
	YL330C-36b	330	37.7	8.76	46.6	9.25	1000	15
	YL325C-36b	325	37.3	8.72	46.4	9.24	1000	15
	YL320C-36b	320	36.8	8.69	46.2	9.24	1000	15
	YL315C-36b	315	36.4	8.65	46	9.23	1000	15
	YL310C-36b	310	36	8.61	45.8	9.21	1000	15
	YL305C-36b	305	35.6	8.58	45.6	9.20	1000	15
	YL300C-36b	300	35.1	8.54	45.4	9.12	1000	15
	YL295C-36b	295	36.6	8.06	45.7	8.61	1000	15
	YL290C-36b	290	36.5	7.96	45.7	8.48	1000	15
	YL285C-36b	285	36.3	7.85	45.6	8.36	1000	15
	YL280C-36b	280	35.9	7.81	45.1	8.36	1000	15
	YL275C-36b	275	35.6	7.74	44.5	8.35	1000	15
YL270C-36b	270	35.3	7.66	43.9	8.33	1000	15	
PANDA 60 Cell 40mm Series PANDA 60 Cell Series 2	YL280C-30b	280	31.3	8.96	39.1	9.5	1000	15
	YL275C-30b	275	30.9	8.91	38.8	9.47	1000	15
	YL270C-30b	270	30.5	8.85	38.6	9.43	1000	15
	YL265C-30b	265	30.1	8.79	38.3	9.37	1000	15
	YL260C-30b	260	29.7	8.74	38.1	9.35	1000	15
	YL255C-30b	255	29.4	8.68	37.8	9.29	1000	15
	YL250C-30b	250	29.1	8.6	37.5	9.14	1000	15
	YL245C-30b	245	30.4	8.07	38.1	8.59	1000	15
	YL240C-30b	240	30.3	7.93	38.0	8.47	1000	15
	YL235C-30b	235	29.9	7.87	37.6	8.41	1000	15
	YL230C-30b	230	29.6	7.76	37.0	8.40	1000	15
YL225C-30b	225	29.4	7.66	36.4	8.39	1000	15	
PANDA 48 Cell 40mm Series	YL225C-24b	225	24.8	9.06	31.4	9.55	1000	15
	YL220C-24b	220	24.6	8.94	31.1	9.48	1000	15
	YL215C-24b	215	24.4	8.81	30.9	9.41	1000	15
	YL210C-24b	210	24.2	8.69	30.7	9.34	1000	15
	YL205C-24b	205	23.9	8.57	30.5	9.27	1000	15
	YL200C-24b	200	23.7	8.44	30.2	9.14	1000	15
	YL195C-24b	195	23.4	8.32	30.0	9.00	1000	15
	YL190C-24b	190	23.9	7.95	30.1	8.50	1000	15
	YL185C-24b	185	23.7	7.81	29.6	8.44	1000	15
YL180C-24b	180	23.5	7.66	29.1	8.41	1000	15	

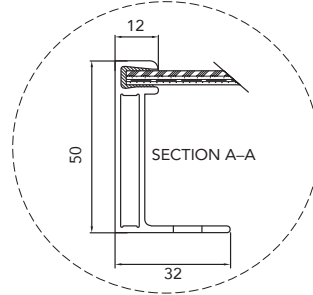
REAR AND SIDE VIEW DIMENSIONS OF MODULE SERIES WITH 50MM FRAME

UNITS: mm

PANDA 72 Cell NH Series (also valid for YGE 72 Cell NH Series)



Frame Cross Section



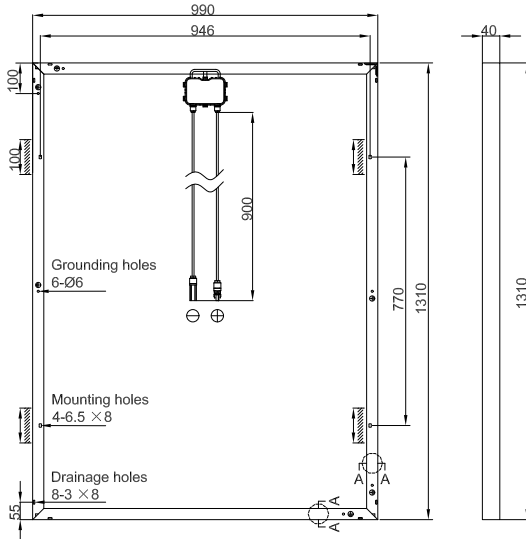
Legend

- Grounding holes
- ▣ Mounting holes
- Drainage holes
- ▨ Mounting tolerance

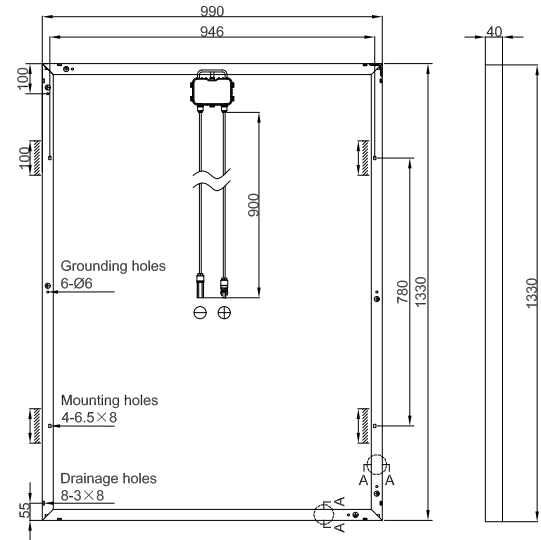
REAR AND SIDE VIEW DIMENSIONS OF MODULE SERIES WITH 40MM FRAME

UNITS: mm

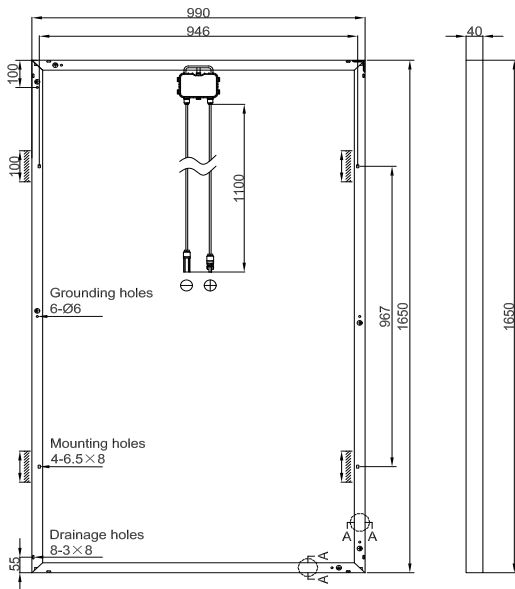
YGE 48 Cell 40mm Series



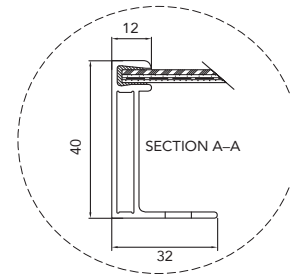
PANDA 48 Cell 40mm Series



PANDA 60 Cell 40mm Series (also valid for YGE 60Cell 40mm Series)



Frame Cross Section



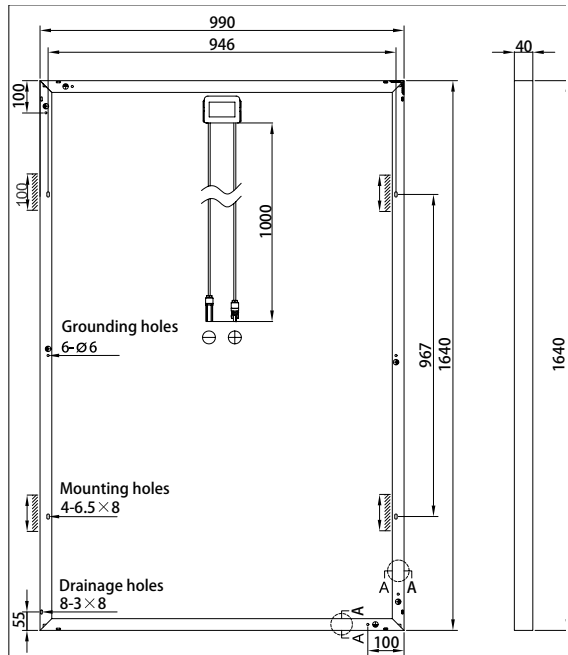
Legend

- Grounding holes
- ⊕ Mounting holes
- Drainage holes
- ▨ Mounting tolerance

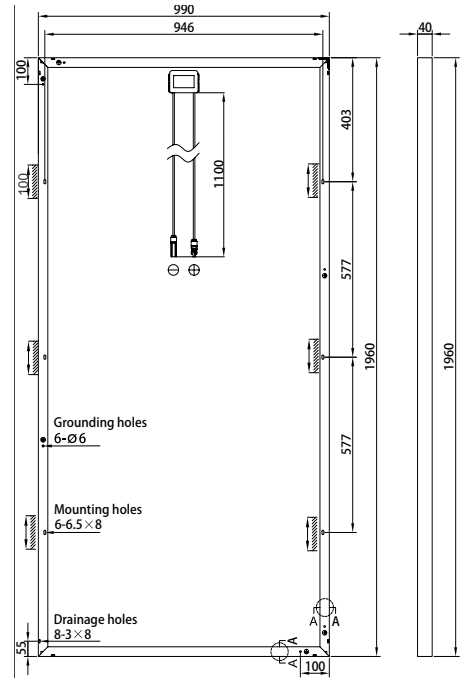
REAR AND SIDE VIEW DIMENSIONS OF MODULE SERIES WITH 40MM FRAME (CONT.)

UNITS: mm

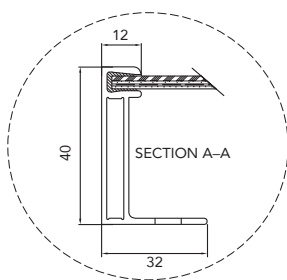
PANDA 60 Cell Series 2



YGE 72 Cell Series 2



Frame Cross Section



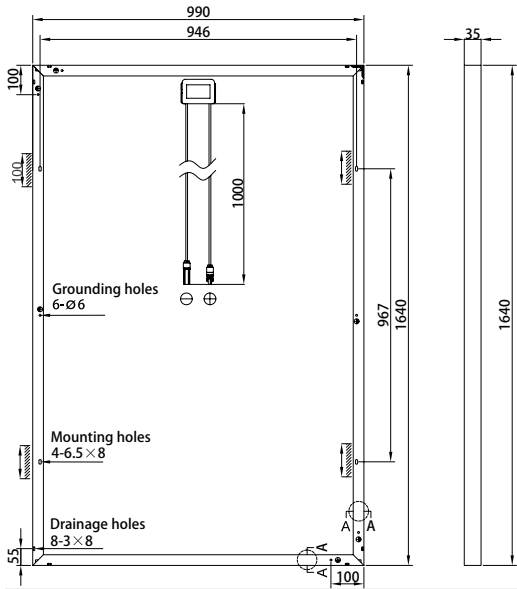
Legend

- Grounding holes
- Mounting holes
- Drainage holes
- ▨ Mounting tolerance

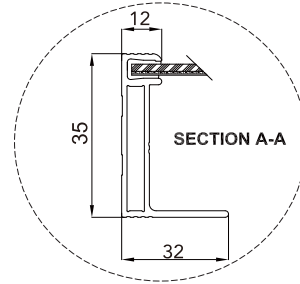
REAR AND SIDE VIEW DIMENSIONS OF MODULE SERIES WITH 35MM FRAME

UNITS: mm

YGE 60 Cell Series 2



Frame Cross Section



Legend

- Grounding holes
- Mounting holes
- Drainage holes
- ▨ Mounting tolerance

Yingli Green Energy Holding Co., Ltd.
service@yingli.com
Tel: +86 312 2188055

YINGLISOLAR.COM | NYSE:YGE

© Yingli Green Energy Holding Co. Ltd. | Module Supplement_IEC_EN_201409_v03