



The project solution  
**330 W / 1,500 V**  
Polycrystalline silicon photovoltaic modules



## 12 GW installed worldwide

Make Sharp's pioneering solar modules the only choice for your project.

**72**  
cells



55 years of solar expertise



Guaranteed positive power tolerance (0/+5%)



Up to 17% module efficiency  
5-busbar cells for higher efficiencies



Proven Quality  
TÜV (IEC/EN 61215, IEC/EN61730)  
Safety class II / CE  
Application class A  
Fire rating class C



Polycrystalline silicon photovoltaic modules

**10**  
YEARS

Product guarantee

**25**  
YEARS

Linear power output guarantee



1,500 system voltage

### Electrical data (STC)

#### ND-AH330H

Maximum power	$P_{max}$	330	$W_p$
Open-circuit voltage	$V_{oc}$	46.2	V
Short-circuit current	$I_{sc}$	9.33	A
Voltage at point of maximum power	$V_{mpp}$	37.8	V
Current at point of maximum power	$I_{mpp}$	8.73	A
Module efficiency	$\eta_m$	17.0	%

STC = Standard Test Conditions: irradiance 1,000 W/m<sup>2</sup>, AM 1.5, cell temperature 25 °C.

Rated electrical characteristics are within ±10 % of the indicated values of  $I_{sc}$ ,  $V_{oc}$  and 0 to +5 % of  $P_{max}$  (power measurement tolerance ±3 %).

### Electrical data (NOCT)

#### ND-AH330H

Maximum power	$P_{max}$	243.94	$W_p$
Open-circuit voltage	$V_{oc}$	42.7	V
Short-circuit current	$I_{sc}$	7.54	A
Voltage at point of maximum power	$V_{mpp}$	34.7	V
Current at point of maximum power	$I_{mpp}$	7.03	A

Module operating temperature at 800 W/m<sup>2</sup> irradiance, air temperature of 20 °C, wind speed of 1 m/s. NOCT = 45°C.

### Mechanical data

Length	1,956 mm
Width	992 mm
Depth	35 mm
Weight	22.2 kg

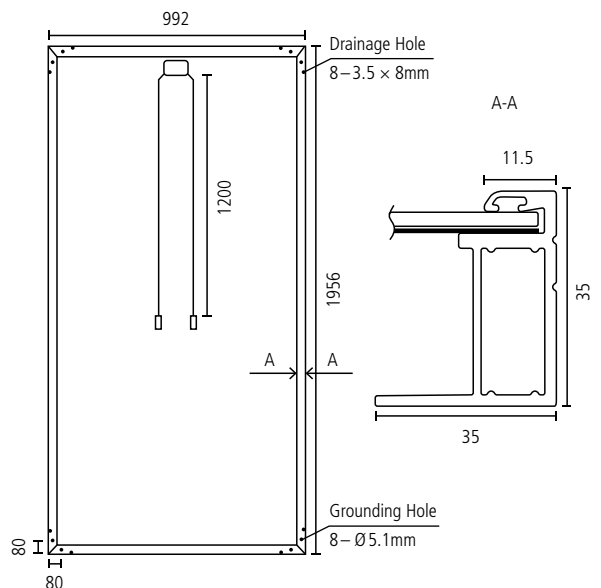
### Temperature coefficient

$P_{max}$	-0.41 %/°C
$V_{oc}$	-0.32 %/°C
$I_{sc}$	0.055 %/°C

### Limit values

Maximum system voltage	1,500 VDC
Over-current protection	15 A
Temperature range	-40 to +85° C
Max. mechanical load (snow / wind)*	2,400 Pa

### Dimensions (mm)



\*Please refer to Sharp's installation manual for details.

### General data

Cells	polycrystalline, 156.75 mm x 156.75 mm, 72 cells in series
Front glass	low iron tempered glass, 3.2 mm
Frame	anodized aluminium alloy, silver
Connection box	IP68, 3 bypass diodes
Cable	4.0 mm <sup>2</sup> , length 1,200 mm
Connector	PV-XT101.1, SUZHOU XTONG PHOTOVOLTAIC TECHNOLOGY Co. Ltd

### Packaging data

Modules per pallet	30 pcs
Pallet size (L x W x H)	1,995 x 1,150 x 1,123 mm
Pallet weight	740 kg

 Empower yourself

[www.sharp.eu](http://www.sharp.eu)

**SHARP**



Contact Installer