

IBS72M

KEY FEATURES



years
**Product
Warranty**



years
**Performance
Warranty**



Cell efficiency
up to **19.7 %**



Module efficiency
up to **17.7 %**



Heavy snow load
up to **5,400 Pa**



Wind load
up to **2,400 Pa**



PID Free



ELECTRICAL PARAMETERS

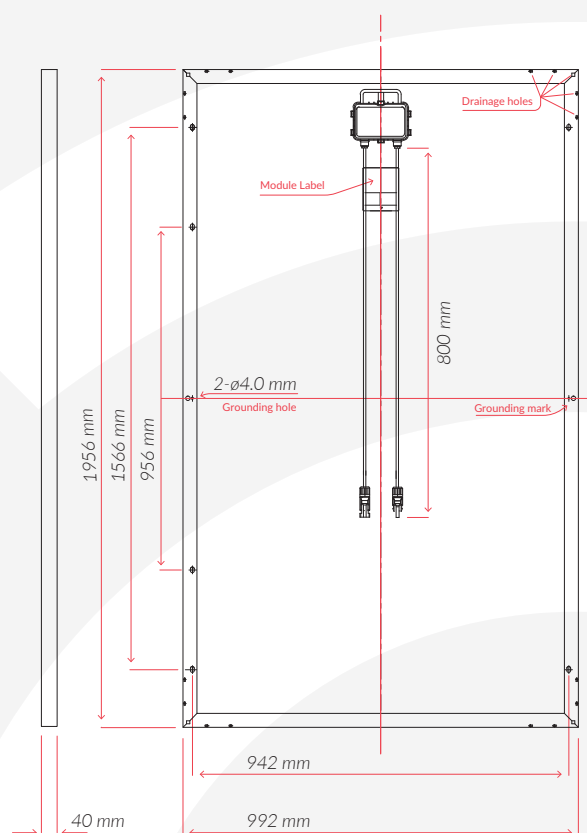
Model	IBS72M				
Maximum Power (Pmax/W)	330	335	340	345	350
Operating Voltage (Vmpp/V)	37.5	37.6	37.7	37.8	37.9
Operating Current (Impp/A)	8.80	8.91	9.02	9.13	9.24
Open-Circuit Voltage (Voc/V)	46.1	46.2	46.3	46.4	46.5
Short-Circuit Current (Isc/A)	9.21	9.33	9.45	9.57	9.68
Module Efficiency η_m (%)	17.01	17.26	17.52	17.78	18.04
Power Tolerance	0+5 Wp				
NOCT	45°C±2°C				

Values at Standard Test Conditions STC (AM 1.5, Irradiance 1000 W/m², Cell Temperature 25°C)

SPECIFICATIONS

Cell Type	Mono Crystalline
Cells size	156,75x156,75 mm
Number of cells	72
Weight	22.5 kg
Front side glass	3,2 mm hardened solar tempered glass
Dimensions	1,956x992x40 mm
Cable length	1000 mm
Cable cross section size	4 mm ²
Number of bypass diodes	3 / 6
Connectors	MC4 compatible
Frame	Anodized Aluminium Alloy
Junction Box	IP67, 3 diodes

ENGINEERING DRAWINGS



WORKING CONDITIONS

Maximum System Voltage	DC 1,000 V (IEC) / 1,500 V available
Operating temperature	-40°C / +80° C
Maximum reverse current	16A
IP protection level	IP65
Safety class	II

TEMPERATURE COEFFICIENTS

Power temperature coefficient (Pmax)	-0,41 %/°C
Voltage temperature coefficient (Voc)	-0,31 %/°C
Current temperature coefficient (Isc)	+0,05 %/°C



PACKAGING INFORMATION (I)

Pallet dimension	2,010/1,120/1,130 mm
Pallet weight	630 kg
Modules/pallet	26

PACKAGING INFORMATION (II)

Container	20 GP	20 GP	40 HQ
Pallets per container	10	22	22
Pieces per container	260	572	627

PARTNERS