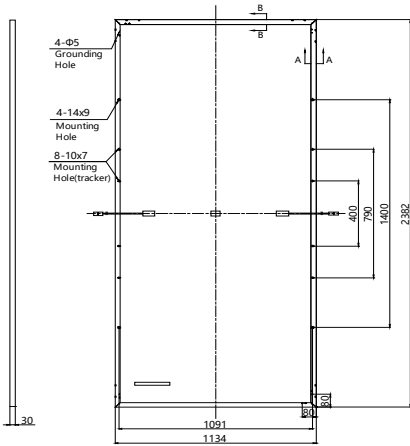
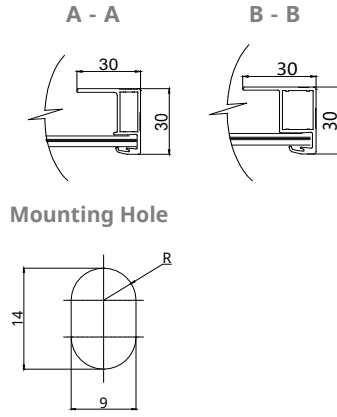


ENGINEERING DRAWING (mm)

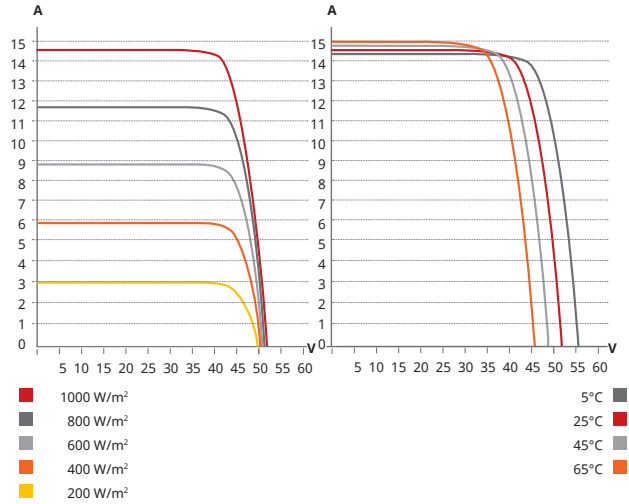
Rear View



Frame Cross Section



CS6.1-72TD-600 / I-V CURVES



ELECTRICAL DATA | STC*

CS6.1-72TD	590	595	600	605	610	615
Nominal Max. Power (Pmax)	590 W	595 W	600 W	605 W	610 W	615 W
Opt. Operating Voltage (Vmp)	42.3 V	42.5 V	42.7 V	42.9 V	43.1 V	43.3 V
Opt. Operating Current (Imp)	13.95 A	14.01 A	14.06 A	14.12 A	14.17 A	14.23 A
Open Circuit Voltage (Voc)	51.9 V	52.1 V	52.3 V	52.5 V	52.8 V	53.0 V
Short Circuit Current (Isc)	14.42 A	14.48 A	14.52 A	14.59 A	14.66 A	14.73 A
Module Efficiency	21.8%	22.0%	22.2%	22.4%	22.6%	22.8%
Operating Temperature	-40°C ~ +85°C					
Max. System Voltage	1500V (IEC/UL) or 1000V (IEC/UL)					
Module Fire Performance	TYPE 1 (UL 61730 1500V) or TYPE 2 (UL 61730 1000V) or CLASS C (IEC 61730)					
Max. Series Fuse Rating	30 A					
Application Classification	Class A					
Power Tolerance	0 ~ + 10 W					

* Under Standard Test Conditions (STC) of irradiance of 1000 W/m², spectrum AM 1.5 and cell temperature of 25°C.

ELECTRICAL DATA | NMOT*

CS6.1-72TD	590	595	600	605	610	615
Nominal Max. Power (Pmax)	446 W	450 W	454 W	458 W	461 W	465 W
Opt. Operating Voltage (Vmp)	40.0 V	40.2 V	40.3 V	40.5 V	40.7 V	40.9 V
Opt. Operating Current (Imp)	11.16 A	11.20 A	11.24 A	11.29 A	11.33 A	11.37 A
Open Circuit Voltage (Voc)	49.1 V	49.3 V	49.5 V	49.7 V	50.0 V	50.1 V
Short Circuit Current (Isc)	11.63 A	11.68 A	11.71 A	11.77 A	11.82 A	11.88 A

* Under Nominal Module Operating Temperature (NMOT), irradiance of 800 W/m², spectrum AM 1.5, ambient temperature 20°C, wind speed 1 m/s.

MECHANICAL DATA

Specification	Data
Cell Type	TOPCon cells
Cell Arrangement	144 [2 x (12 x 6)]
Dimensions	2382 × 1134 × 30 mm (93.8 × 44.6 × 1.18 in)
Weight	33.6 kg (74.1 lbs)
Front Glass	2.0 mm heat strengthened glass with anti-reflective coating
Back Glass	2.0 mm heat strengthened glass
Frame	Anodized aluminium alloy
J-Box	IP68, 3 bypass diodes
Cable	4 mm ² (IEC), 12 AWG (UL)
Cable Length (Including Connector)	350 mm (13.8 in) (+) / 250 mm (9.8 in) (-) or customized length*
Connector	T6 or MC4-EVO2 or MC4-EVO2A
Per Pallet	36 pieces
Per Container (40' HQ)	720 pieces

* For detailed information, please contact your local Canadian Solar sales and technical representatives.

TEMPERATURE CHARACTERISTICS

Specification	Data
Temperature Coefficient (Pmax)	-0.29 % / °C
Temperature Coefficient (Voc)	-0.25 % / °C
Temperature Coefficient (Isc)	0.05 % / °C
Nominal Module Operating Temperature	41 ± 3°C

PARTNER SECTION



* The specifications and key features contained in this datasheet may deviate slightly from our actual products due to the on-going innovation and product enhancement. CSI Solar Co., Ltd. reserves the right to make necessary adjustment to the information described herein at any time without further notice.

Please be kindly advised that PV modules should be handled and installed by qualified people who have professional skills and please carefully read the safety and installation instructions before using our PV modules.